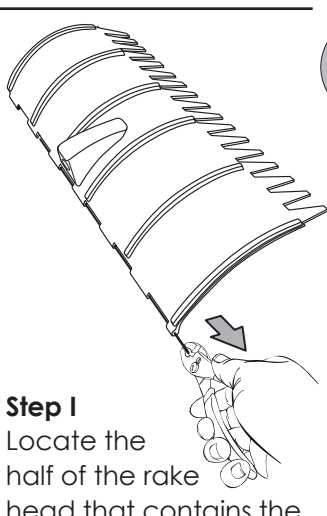




SOLID HANDLE ASSEMBLY INSTRUCTIONS

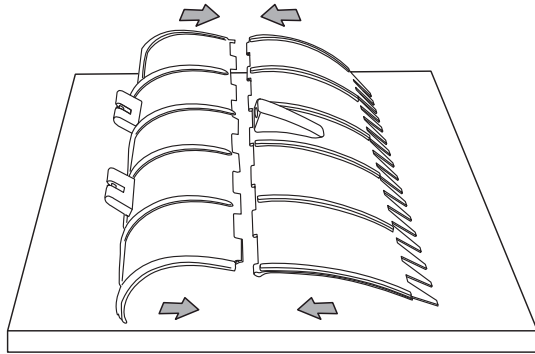
Step 1

Locate the half of the rake head that contains the long hinge pin. Remove the hinge pin using a pair of pliers.



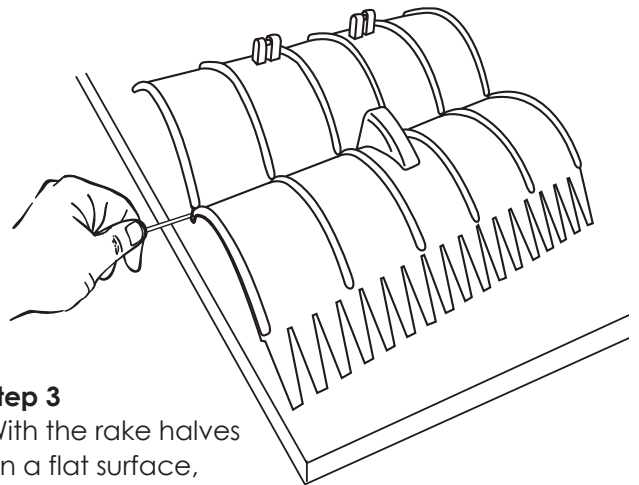
Step 2

Place the two rake halves on a flat surface as shown. Push the two rake halves together to align the holes for proper reinsertion of the hinge pin.



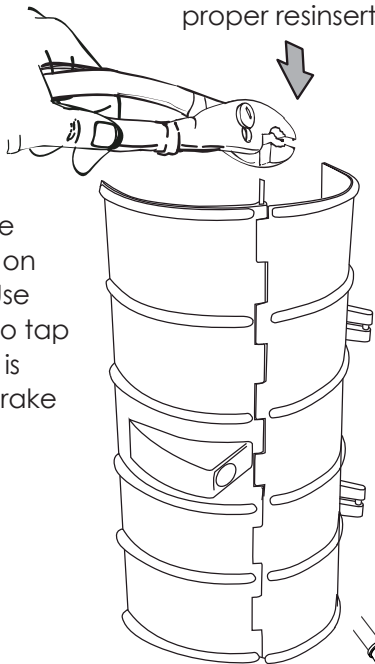
Step 3

With the rake halves on a flat surface, reinsert hinge pin. Use a lubricant on pin if necessary. Push pin with your fingers until you meet resistance.



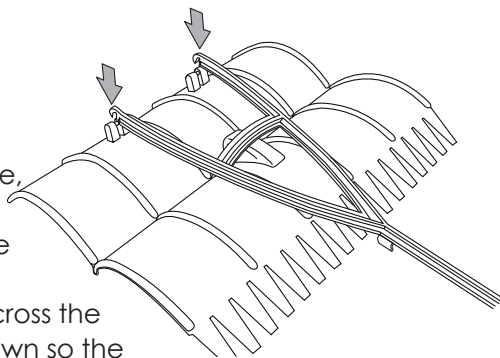
Step 4

Place the rake head upright on flat surface. Use end of pliers to tap the pin until it is flush with the rake head.



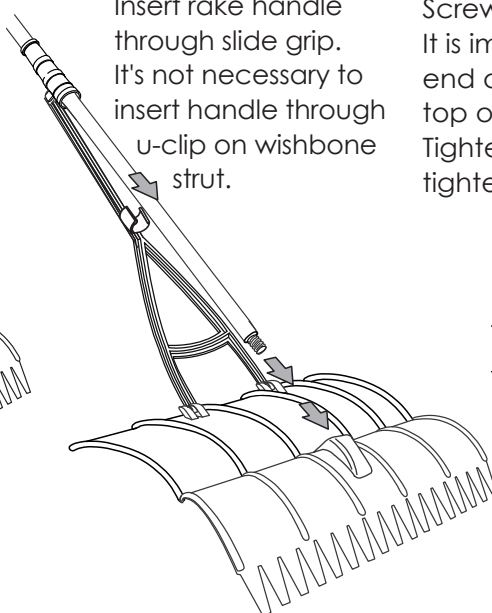
Step 5

On a hard surface, open the rake head so backside is facing up. Lay wishbone strut across the rake head as shown so the ends of the wishbone strut align directly over keeper rods. Apply firm down pressure with the palm of your hand or the sole of your foot until wishbone ends snap into place over keep rods.



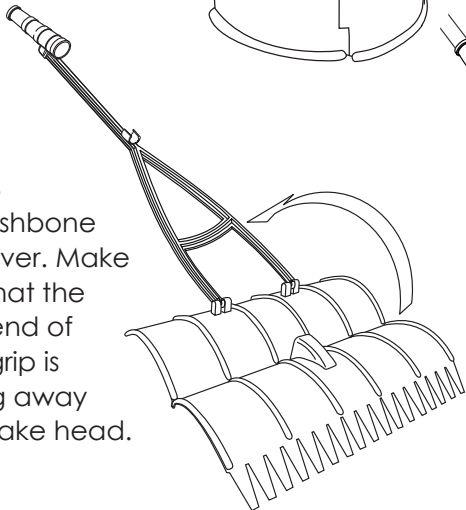
Step 7

Insert rake handle through slide grip. It's not necessary to insert handle through u-clip on wishbone strut.



Step 6

Flip wishbone strut over. Make sure that the long end of slide grip is facing away from rake head.



Step 8

Screw handle into rake head. Note: It is important to guide the threaded end of the rake handle toward the top of the female thread opening. Tighten to a snug fit; do not over tighten.

